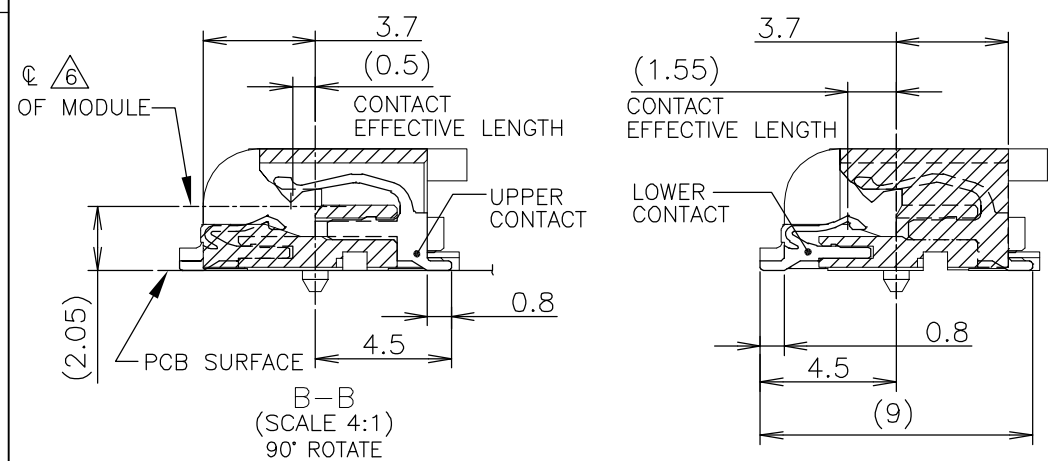
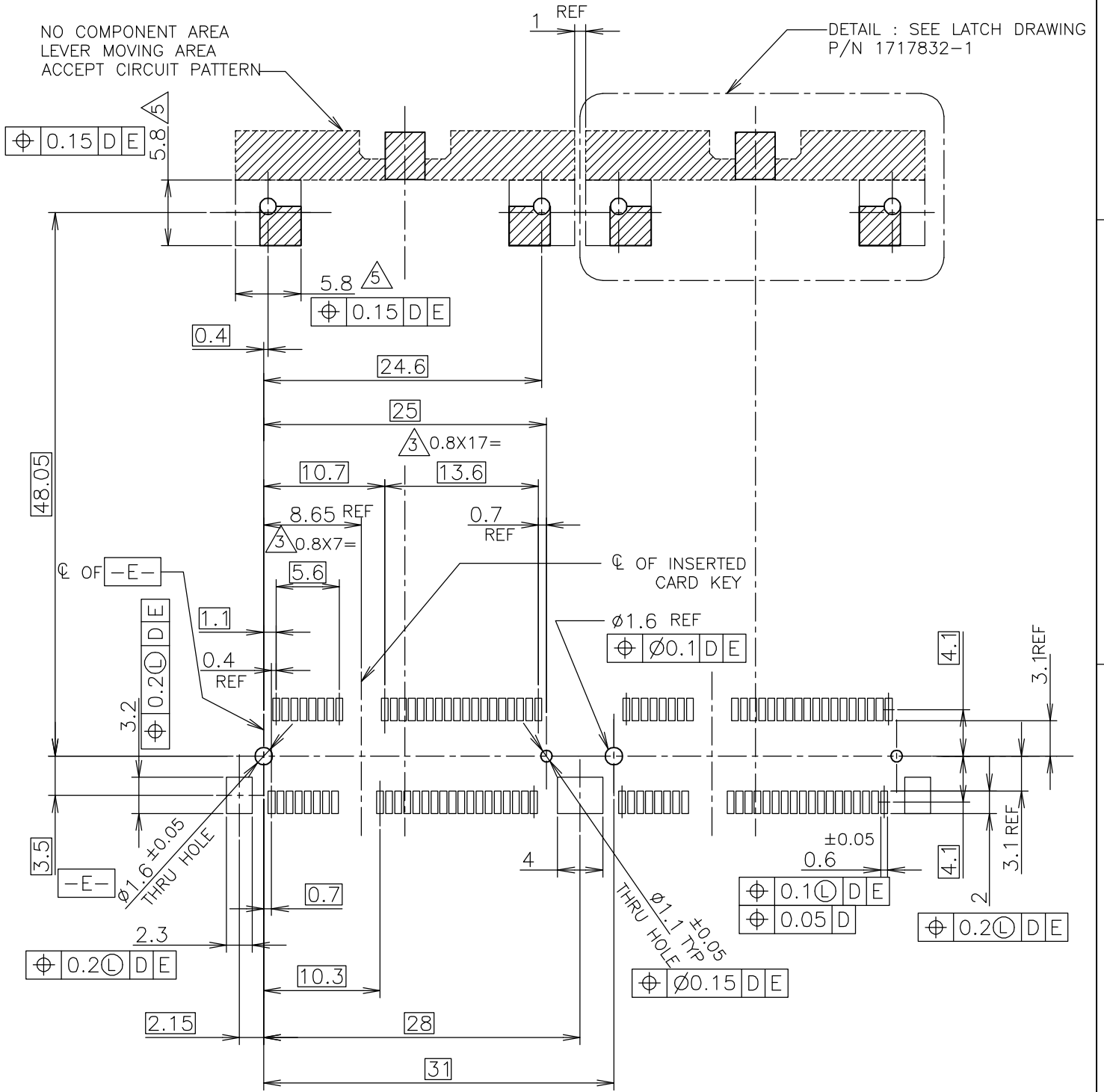
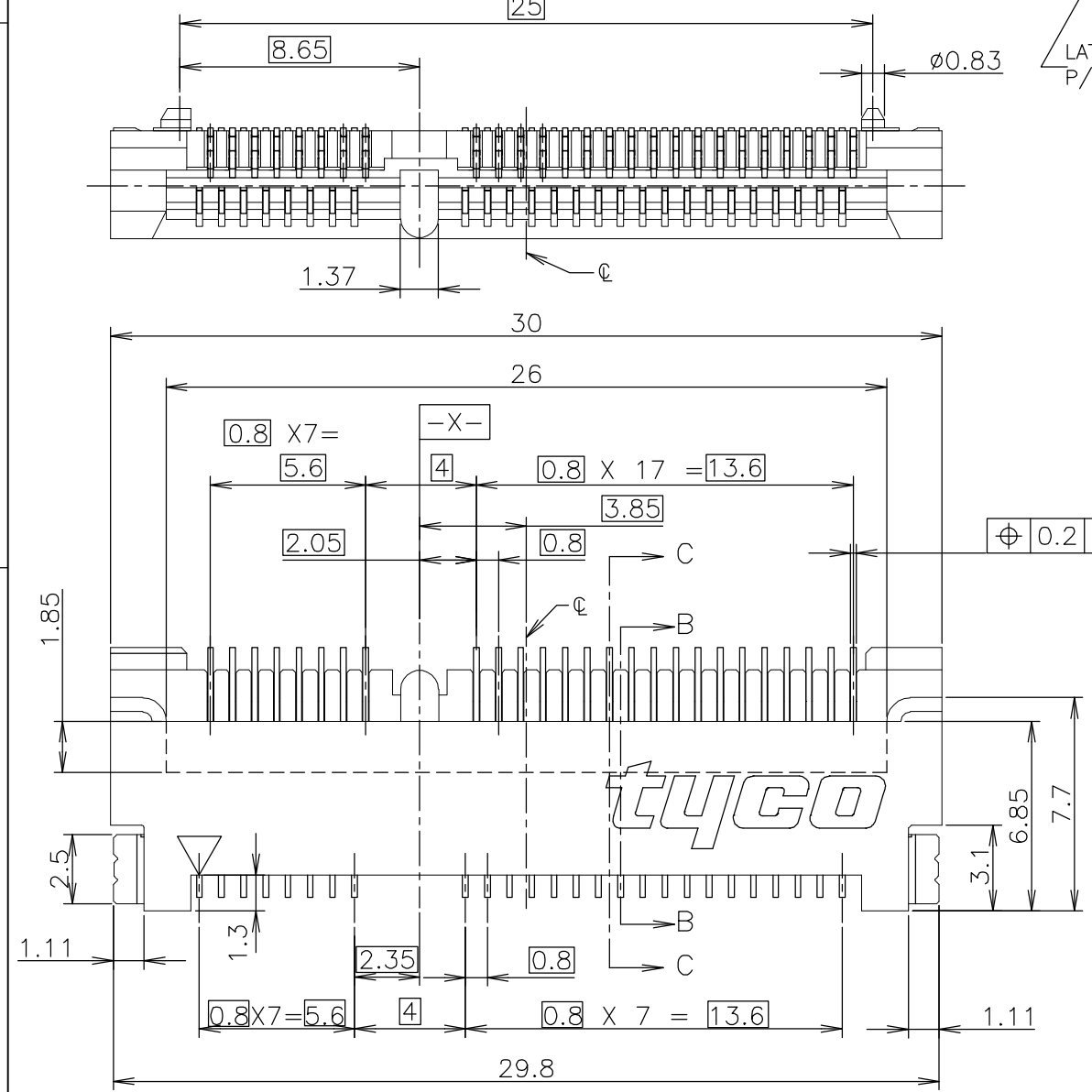
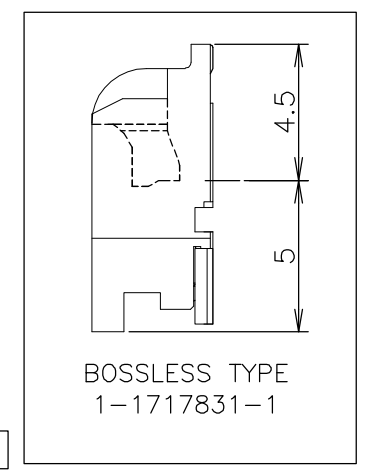
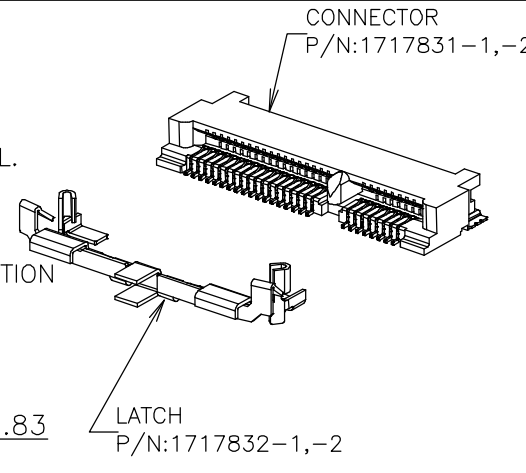


THIS DRAWING IS UNPUBLISHED. RELEASED FOR PUBLICATION OCT. 2003.
 © COPYRIGHT 2003 BY TYCO ELECTRONICS CORPORATION. ALL RIGHTS RESERVED.

LOC		DIST		REVISIONS		
P	LTR	DESCRIPTION	DATE	DWN	APVD	
	C	REVISED (ECR-06-025491)	27OCT06	B.W	S.Y	

- NOTE
- MATERIAL : HOUSING : HIGH TEMPERATURE THERMO PLASTIC UL94V-0
 COLOR: BLACK
 CONTACT : COPPER ALLOY
 SOLDER PEG : COPPER ALLOY
 - FINISH : CONTACT : GOLD FLASH ON CONTACT AREA, ALL OVER NICKEL.
 SOLDER PEG : TIN PLATE, ALL OVER NICKEL
- ③ TOLERANCES NON-CUMMURATIVE
 ④ -D- IS THE TOP SURFACE OF PCB.
 ⑤ COMPONENT KEEP OUT AREA BASED ON MINI PCI EXPRESS SPECIFICATION
 1.0 CANDIDATE DRAFT (v1)
 ⑥ THE FLOATING VALUE BY SOLDERING IS NOT INCLUDED.

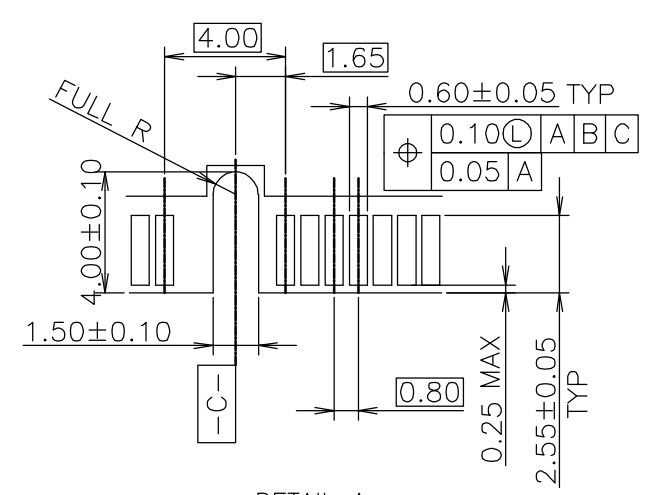
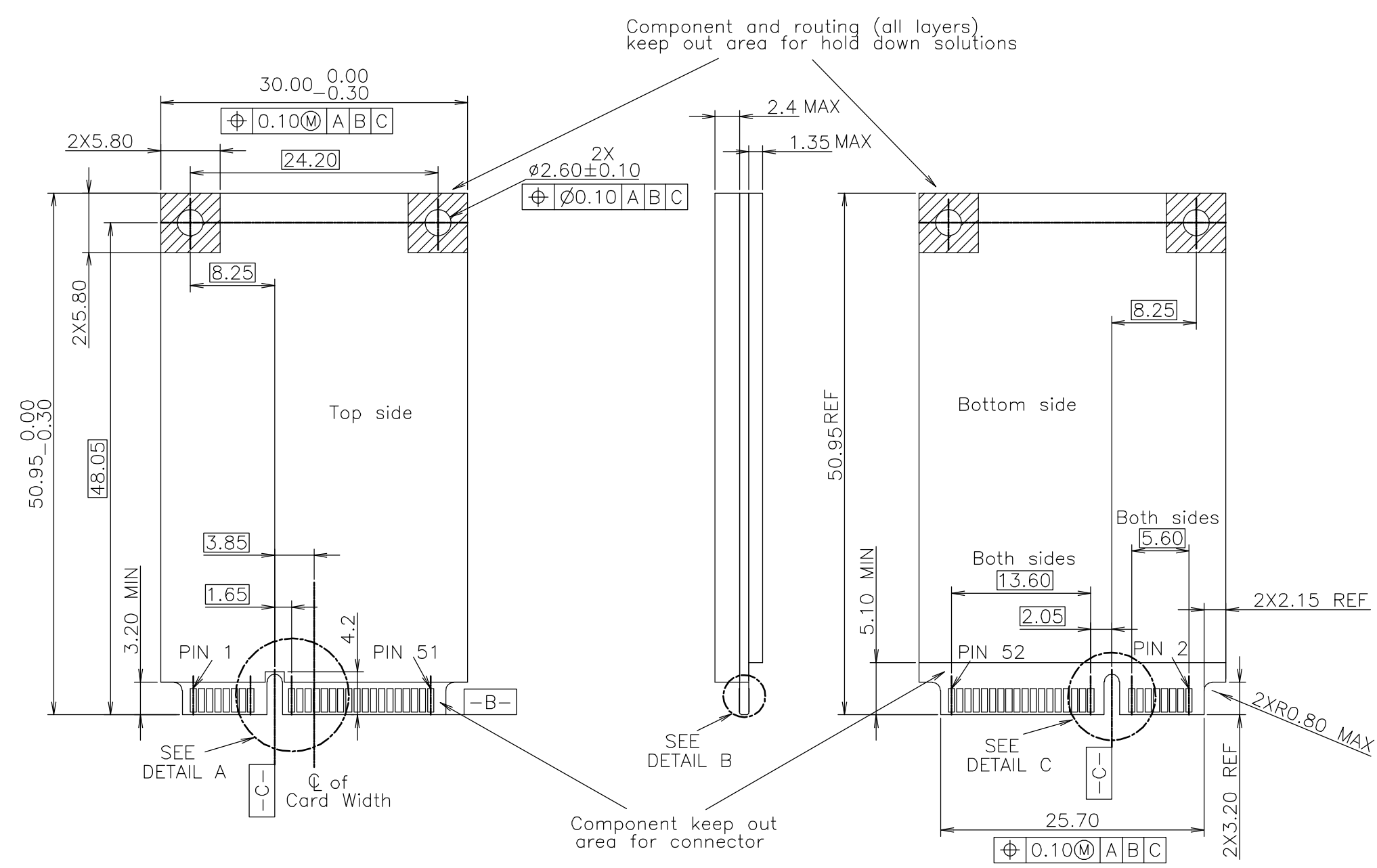


C-C (SCALE 4:1) 90° ROTATE
 TOLERANCES UNLESS OTHERWISE SPECIFIED
 10 ≥ : ±0.2
 30 ≥ >10: ±0.25
 100 ≥ >10: ±0.3
 ANGLES : ±3'

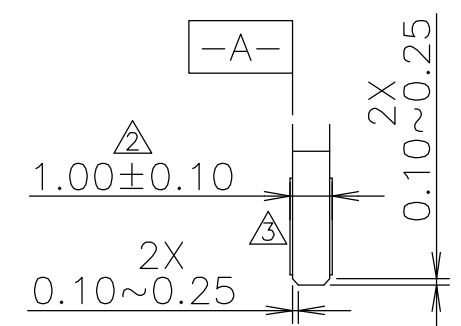
THIS DRAWING IS A CONTROLLED DOCUMENT.		DWN	J.TANIGAWA	100CT03	tyco Electronics	Tyco Electronics AMP K.K.	
		CHK	Y.YAMAMOTO	100CT03		Kawasaki,Japan	
		APVD	Y.YAMAMOTO	100CT03	NAME	SEMI HARD TRAY & EMBOSS TAPE SUPPLY MINI PCI EXPRESS CONNECTOR ASSEMBLY	
DIMENSIONS: MM		TOLERANCES UNLESS OTHERWISE SPECIFIED:		PRODUCT SPEC		108-5899	
0 PLC ± -		1 PLC ± -		APPLICATION SPEC		SIZE	
2 PLC ± -		3 PLC ± -		WEIGHT		A3 00779	
4 PLC ± -		ANGLES ± -		CUSTOMER DRAWING		DRAWING NO	
MATERIAL SEE NOTE		FINISH SEE NOTE		1.2g		CAGE CODE	
						DRAWING NO	
						RESTRICTED TO	
						SCALE 4:1	
						SHEET 1 OF 4	
						REV C	

THIS DRAWING IS UNPUBLISHED. RELEASED FOR PUBLICATION OCT ,2003.
 © COPYRIGHT 2003 BY TYCO ELECTRONICS CORPORATION. ALL RIGHTS RESERVED.

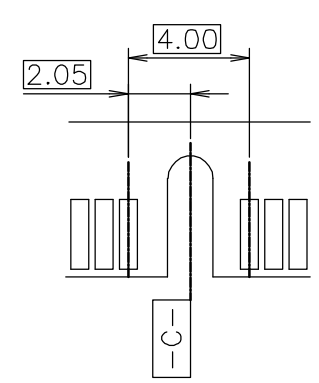
LOC	DIST	REVISIONS			
P	LTR	DESCRIPTION	DATE	DWN	APVD
J		SEE SHEET 1	-	-	-



DETAIL A
SCALE 4:1



DETAIL B
SCALE 4:1



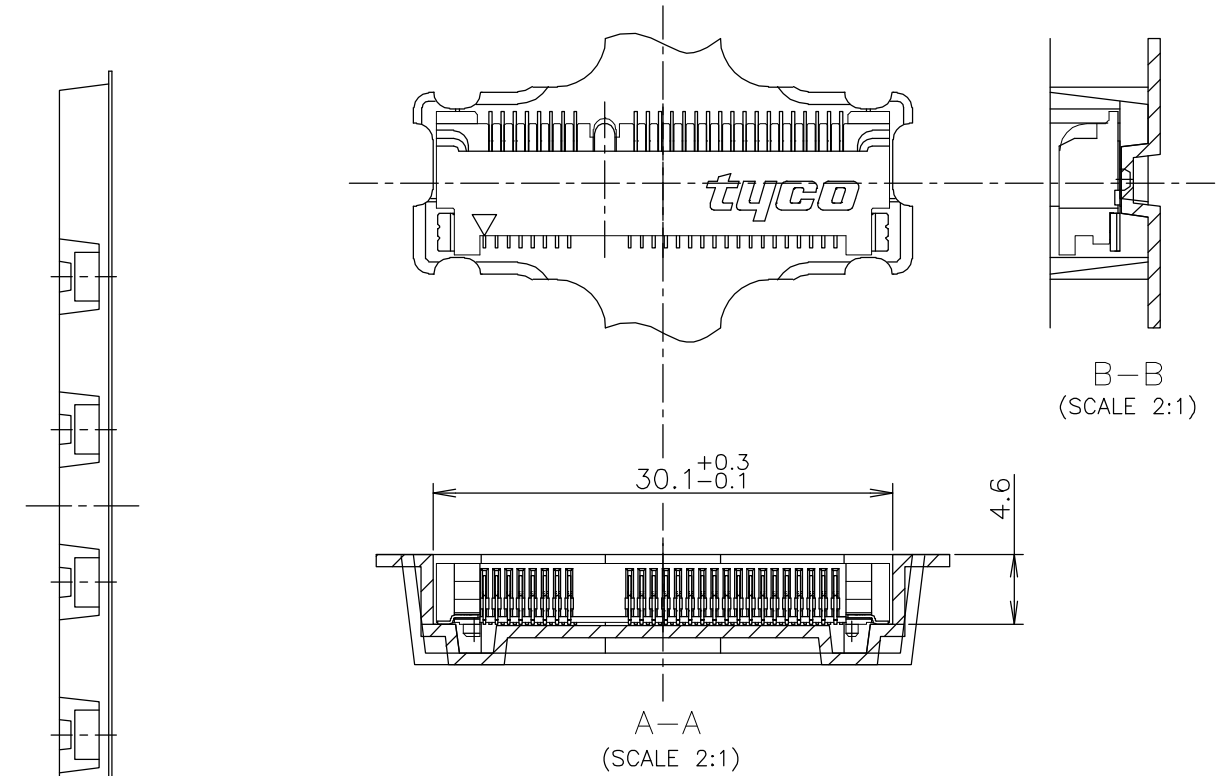
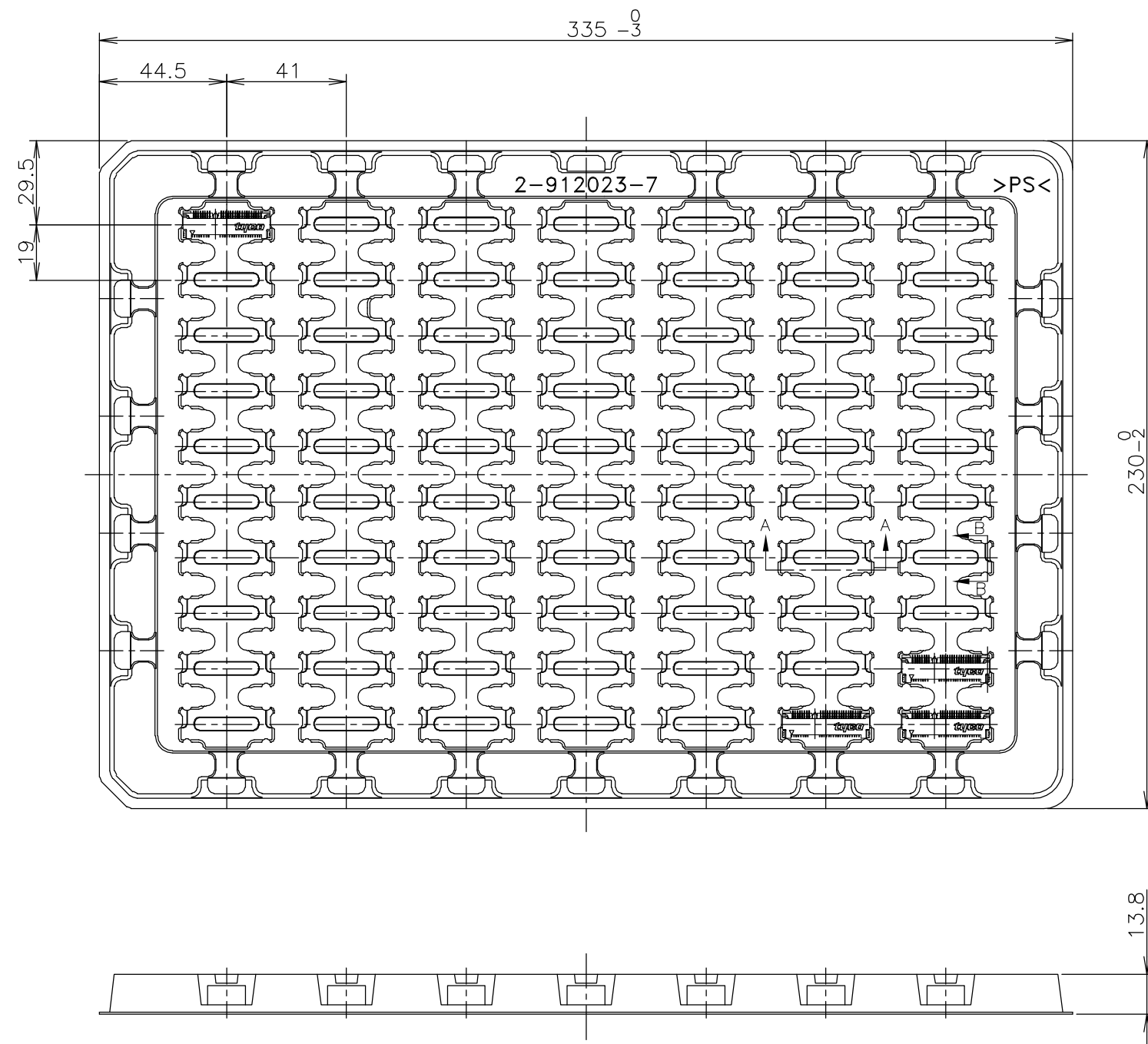
DETAIL C
SCALE 4:1

- NOTES
1. PCI EXPRESS MINI CARD, PCB THICKNESS 1.0MM.
 2. CARD THICKNESS APPLIES ACROSS TABS AND INCLUDES PLATING AND/OR METALIZATION.
 3. BEVEL MUST BE FREE OF CUTTING BURRS.

THIS DRAWING IS A CONTROLLED DOCUMENT.		DWN	Tyco Electronics AMP K.K. Kawasaki, Japan			
DIMENSIONS: MM		CHK				
TOLERANCES UNLESS OTHERWISE SPECIFIED:		APVD	NAME			
0 PLC ± -		PRODUCT SPEC	SEMI HARD TRAY & EMBOSS TAPE SUPPLY			
1 PLC ± -		APPLICATION SPEC	MINI PCI EXPRESS CONNECTOR ASSEMBLY			
2 PLC ± -		WEIGHT	SIZE	CAGE CODE	DRAWING NO	RESTRICTED TO
3 PLC ± -		CUSTOMER DRAWING	A3	00779	C-1717831	-
4 PLC ± -			SCALE	SHEET	OF	REV
ANGLES ± -			2:1	2	4	C
FINISH						

THIS DRAWING IS UNPUBLISHED. RELEASED FOR PUBLICATION OCT ,2003.
 © COPYRIGHT 2003 BY TYCO ELECTRONICS CORPORATION. ALL RIGHTS RESERVED.

LOC	DIST	REVISIONS			
P	LTR	DESCRIPTION	DATE	DWN	APVD
J	/	SEE SHEET 1	-	-	-



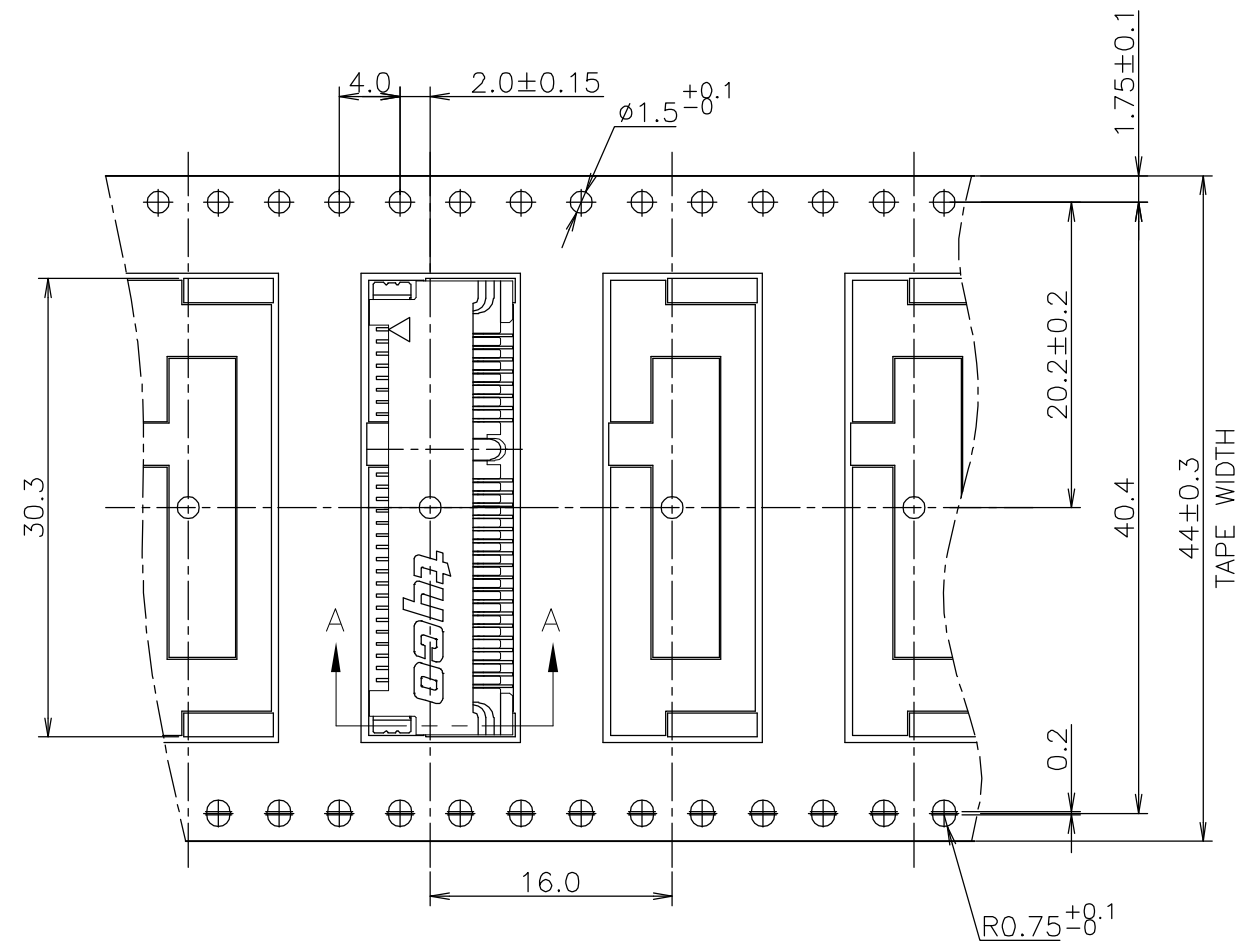
NOTE
 1. THE DIRECTION OF EACH CONNECTOR ON A TRAY IS REFERRED TO THIS DWG.

BOSSLSS	70EA/TRAY	2-912023-7	1-1717831-1
—//—	70EA/TRAY	2-912023-7	1717831-1
REMARK	QTY	TRAY P/N	P/N

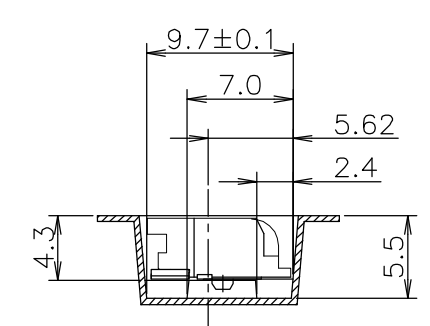
THIS DRAWING IS A CONTROLLED DOCUMENT.		DWN	tyco Tyco Electronics AMP K.K.	
DIMENSIONS: MM		CHK	Electronics Kawasaki.Japan	
TOLERANCES UNLESS OTHERWISE SPECIFIED:		APVD	NAME	
0 PLC ± -		PRODUCT SPEC	SEMI HARD TRAY & EMBOSS TAPE SUPPLY	
1 PLC ± -		108-5899	MINI PCI EXPRESS CONNECTOR ASSEMBLY	
2 PLC ± -		APPLICATION SPEC	SIZE	CAGE CODE
3 PLC ± -		WEIGHT	A3	00779
4 PLC ± -		CUSTOMER DRAWING	DRAWING NO	RESTRICTED TO
ANGLES ± -			C-1717831	
FINISH ± -			SCALE	SHEET
TOLERANCES UNLESS OTHERWISE SPECIFIED ±0.5			NTS	3 OF 4
			REV	C

THIS DRAWING IS UNPUBLISHED. RELEASED FOR PUBLICATION OCT, 2003.
 © COPYRIGHT 2003 BY TYCO ELECTRONICS CORPORATION. ALL RIGHTS RESERVED.

LOC	DIST	REVISIONS					
		P	LTR	DESCRIPTION	DATE	DWN	APVD
J	/	-	-	SEE SHEET 1	-	-	-

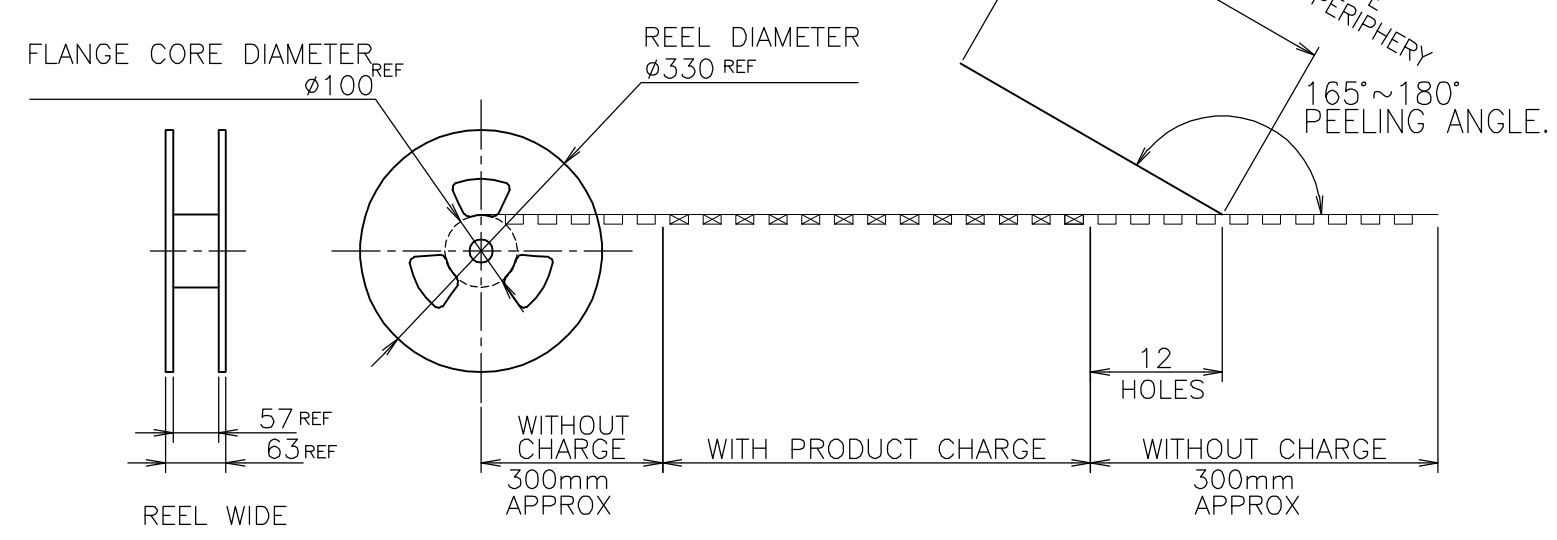


1 PEELING RESISTANCE : 0.1N~1.3N
 (10gf~130gf)
 SPEED : 300mm/min



A-A

TOP OF REEL →



//	500EA	5-912103-9	1717831-2
REMARK	QTY/REEL	EMBOSS TAPE P/N	P/N

THIS DRAWING IS A CONTROLLED DOCUMENT.		DWN	Tyco Electronics AMP K.K. Kawasaki, Japan	
DIMENSIONS: MM		CHK		
TOLERANCES UNLESS OTHERWISE SPECIFIED:		APVD	NAME	
0 PLC ± -		PRODUCT SPEC	SEMI HARD TRAY & EMBOSS TAPE SUPPLY	
1 PLC ± -		108-5899	MINI PCI EXPRESS CONNECTOR ASSEMBLY	
2 PLC ± -		APPLICATION SPEC	SIZE	CAGE CODE
3 PLC ± -		WEIGHT	A3	00779
4 PLC ± -		CUSTOMER DRAWING	DRAWING NO	RESTRICTED TO
ANGLES ± -		SCALE	C-1717831	4 OF 4
FINISH		SHEET	2:1	REV C